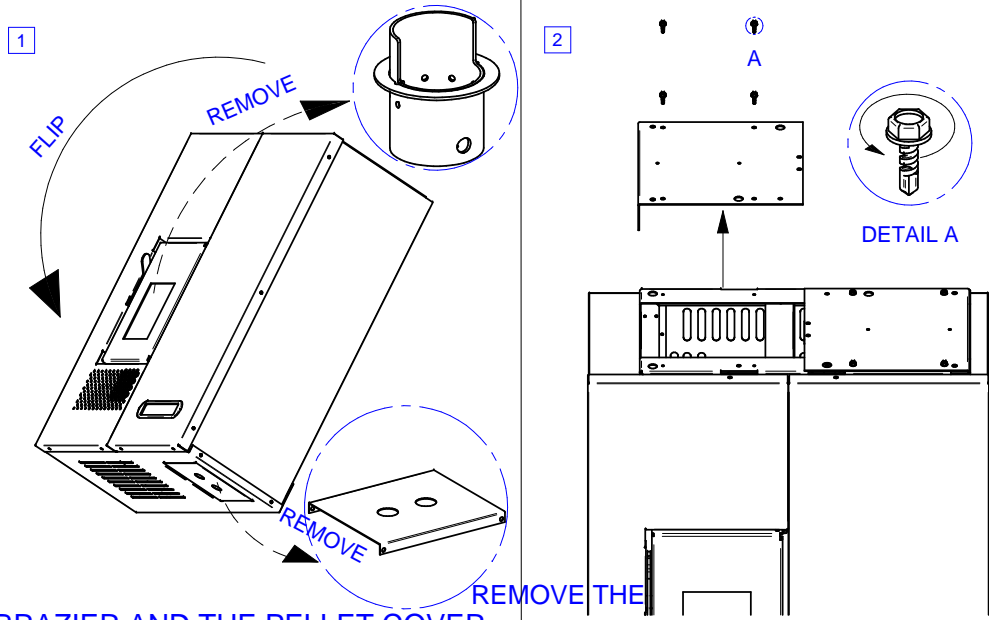
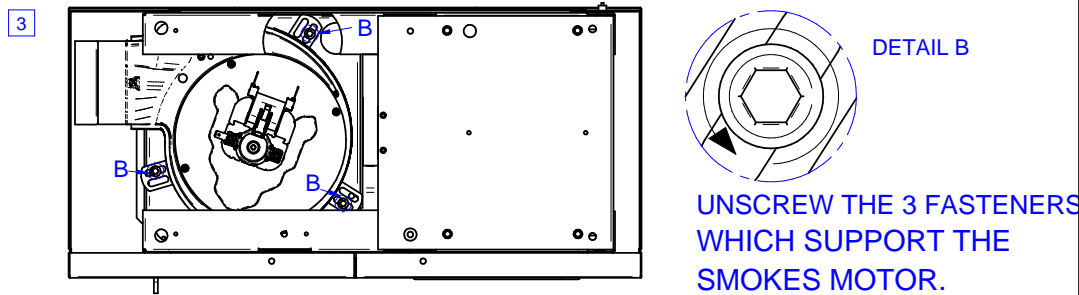


# INSTRUCTIONS FOR THE REAR SMOKE OUTLET

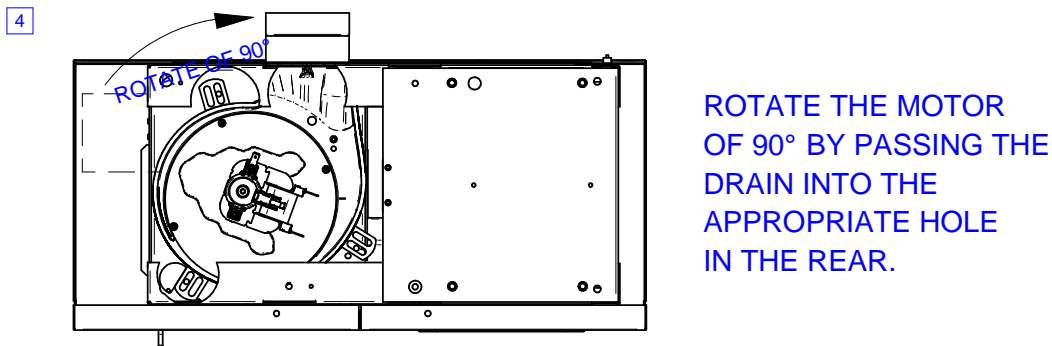


REMOVE THE BRAZIER AND THE PELLET COVER. SUBSEQUENTLY, TURN THE STOVE UPSIDE DOWN LAYING THE TOP ON POLYSTYRENE OR CARDBOARD.

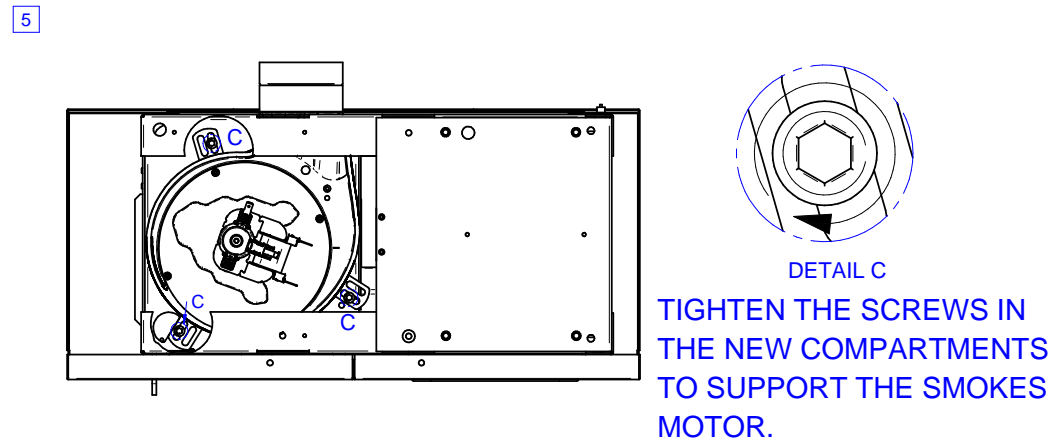
REMOVE THE SHOWN PLATE, UNSCREWING THE 4 FASTENERS.



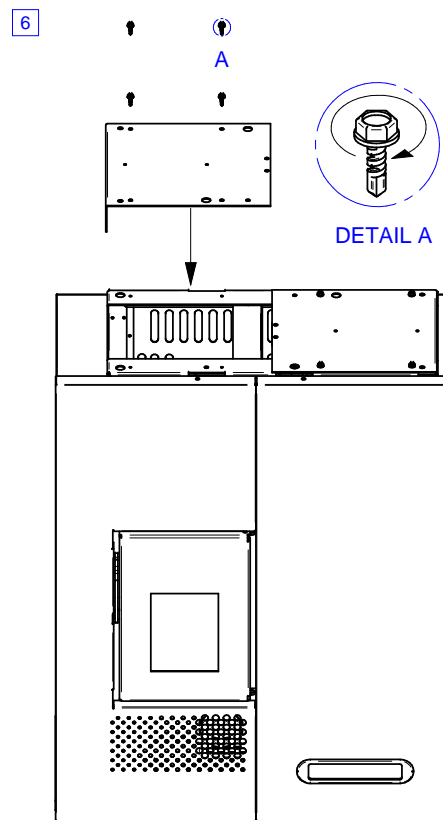
UNSCREW THE 3 FASTENERS WHICH SUPPORT THE SMOKE MOTOR.



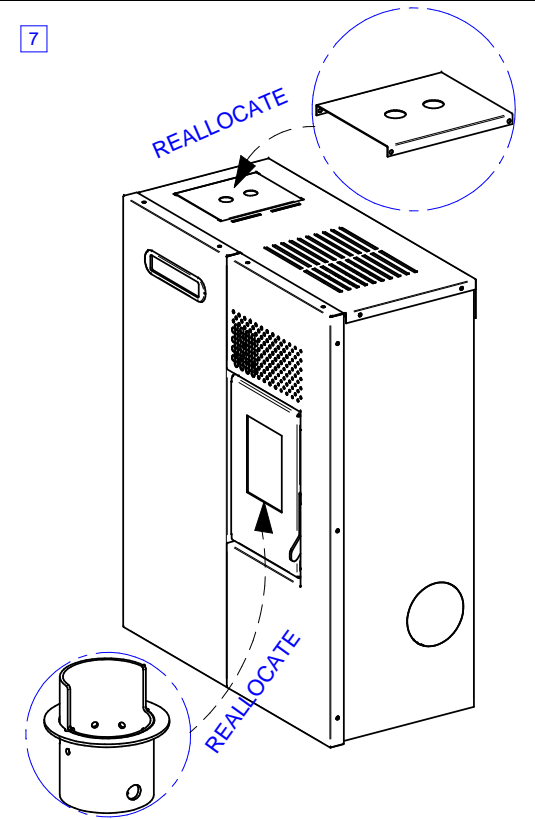
ROTATE THE MOTOR OF 90° BY PASSING THE DRAIN INTO THE APPROPRIATE HOLE IN THE REAR.



TIGHTEN THE SCREWS IN THE NEW COMPARTMENTS TO SUPPORT THE SMOKE MOTOR.



CLOSE THE PLATE YOU PREVIOUSLY REMOVED, TIGHTENING THE 4 SCREWS.



PLACE THE STOVE PROPERLY REALLOCATING THE BRAZIER AND THE PELLET COVER, THEN PROCEED WITH THE INSTALLATION.